

**Standard Construction and Materials**

**FRAME:** Extruded aluminum, 6063-T52/T6 alloy, available in .081" thickness (nominal) and .125" thickness (nominal).

**BLADE:** Extruded aluminum, 6063-T52/T6 alloy, available in .081" thickness (nominal) and .125" thickness (nominal). Blades approximately 4½" on centers.

**LOUVER FACE:** Full width sill, with blades and head contained in jams.

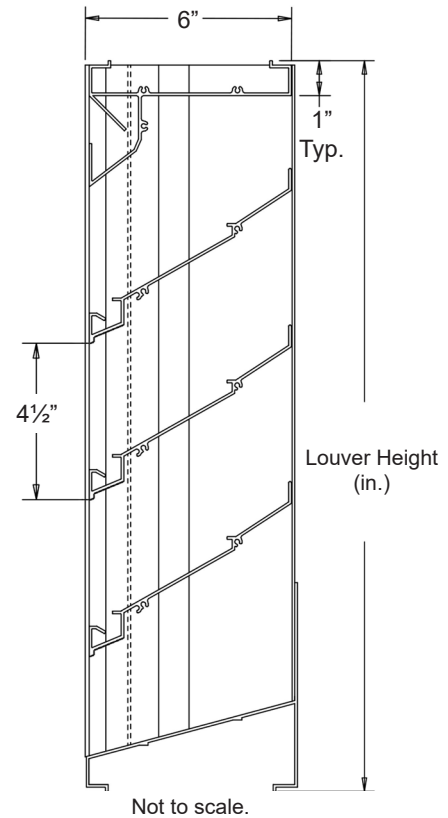
**SCREEN:** (When indicated.)

½" flattened aluminum (.051" thick),

-or- ½" sq. mesh, intermediate double-crimped aluminum wire, .063" dia.,

-or- 19/16 mesh, .011" dia. aluminum wire, insect screen.

**FINISH:** Mill



**Options**

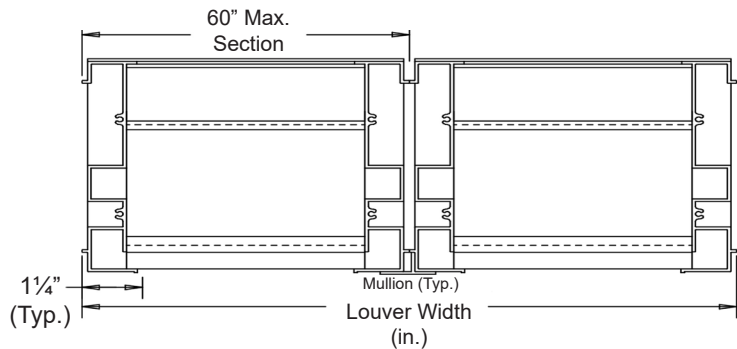
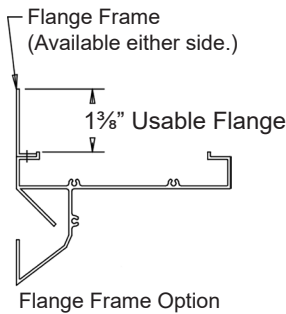
Finish - Baked Enamel, Kynar, Anodize

**Notes**

1. ½" nominal deduction will be made to the opening size given.
2. Approximate shipping weight is 4.0 lbs./sq.ft.

**Louver Sizes**

Min Panel	Max Single Panel
12"W x 12"H	60"W x 96"H



										
Item #	Qty	Width	Height	Width	Height	Mullion	Type	Location		
		Opening Size		Louver Size			Screens			Union Made
Arch. / Eng.:						EDR:		ECN:		Job:
Contractor:										
Project:						Date:		DWN:		DWG:

In the interest of product development, CESCO Products reserves the right to make changes without notice.

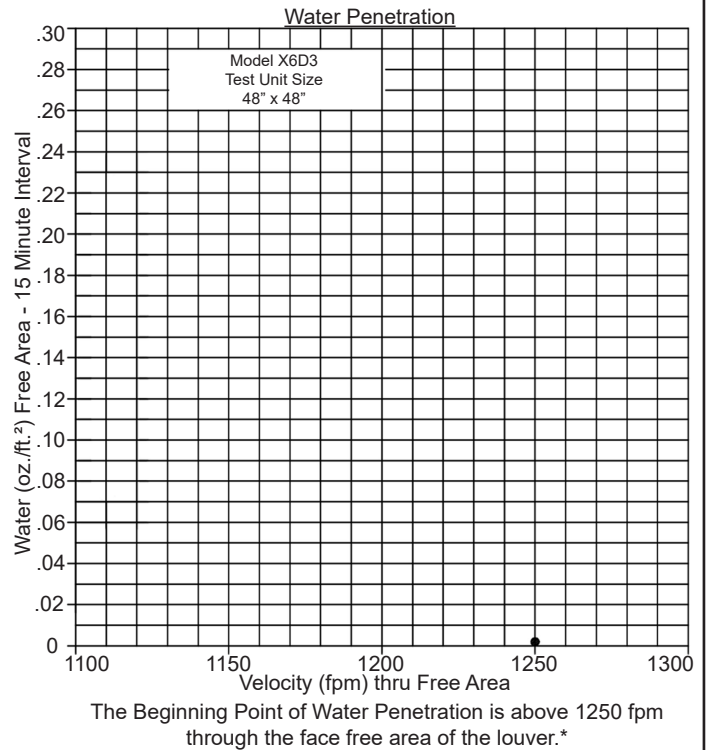
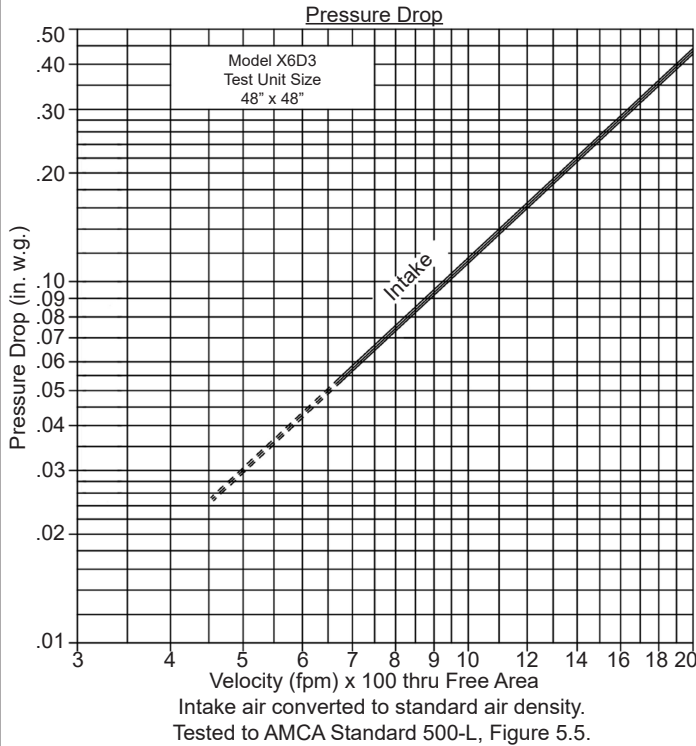


450 Riverside Dr • Wyalusing PA, 18853  
 Phone: 570-746-1888 • Fax: 570-746-9286  
 www.cescoproducts.com

**Performance Data**

Pressure Drop: .12 in. w.g. at 1000 fpm (Intake)  
 Free Area: 8.97 sq.ft. = 56% for 48"W x 48"H sample tested in accordance with AMCA Standard 500-L.  
 Beginning Point of Water Penetration: Above 1250 fpm

Ratings do not include effects of a screen.



Free Area (sq.ft.)

		Width (in.)								
		12"	18"	24"	30"	36"	42"	48"	54"	60"
Height (in.)	12"	.25	.41	.57	.72	.88	1.04	1.20	1.36	1.51
	24"	.78	1.27	1.76	2.25	2.74	3.23	3.72	4.21	4.70
	36"	1.29	2.11	2.92	3.74	4.55	5.37	6.18	7.00	7.81
	48"	1.83	2.99	4.15	5.31	6.47	7.62	8.97	9.94	11.10
	60"	2.36	3.85	5.34	6.83	8.32	9.81	11.30	12.79	14.28
	72"	2.87	4.69	6.50	8.32	10.13	11.95	13.76	15.58	17.39
	84"	3.42	5.57	7.73	9.89	12.05	14.21	16.36	18.52	20.68
96"	3.94	6.43	8.92	11.41	13.90	16.39	18.88	21.37	23.86	



\* AMCA Standard 500 limits testing of Water Penetration to either a maximum velocity of 1250 fpm or 2.5 ounces of water per square foot of louver free area.

Cesco Products certifies that the Model X6D3 shown herein is licensed to bear the AMCA seal. The ratings shown are based on tests and procedures performed in accordance with AMCA Publication 511 and comply with the requirements of the AMCA Certified Ratings Program. The AMCA Certified Ratings Seal applies to Water Penetration and Air Performance Ratings only.